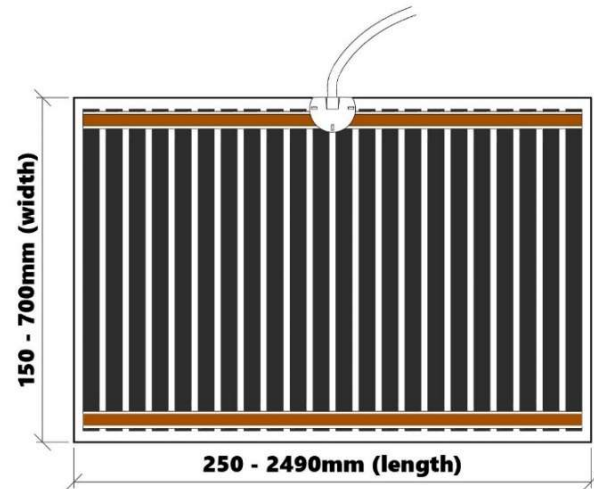


ANTI - FOG MIRROR HEATING SYSTEM (DEMISTA - U.K)



DESCRIPTION

Item	Anti-Fog Mirror Heating System (DEMISTA – U.K)
Thickness & Size	1mm Thick, over 400 Sizes available to suit any size & type of Mirror

SPECIFICATION

Mirror Demisting Pads (DEMISTA – U.K), double insulated multi-layer polyester/polyethylene, standard voltage 230V, powder rating of 200 Watts/m², 1mm thickness, IP44, 1 mtr twin core 0.75mm² cable, 10 years warranty, manufactured in U.K

Distributor	SRK Building Supplies L.L.C	Mobile	+971 56 636 3481
Address	P.O box 236294, Dubai – U.A.E	Email	srksupplies@gmail.com ashley@srksupplies.com
Telephone	+971 4 2639833; +971 4 338 3717	Website	www.srksupplies.com