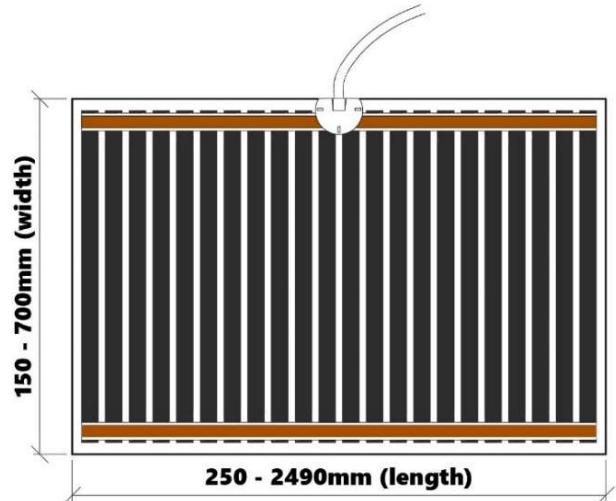
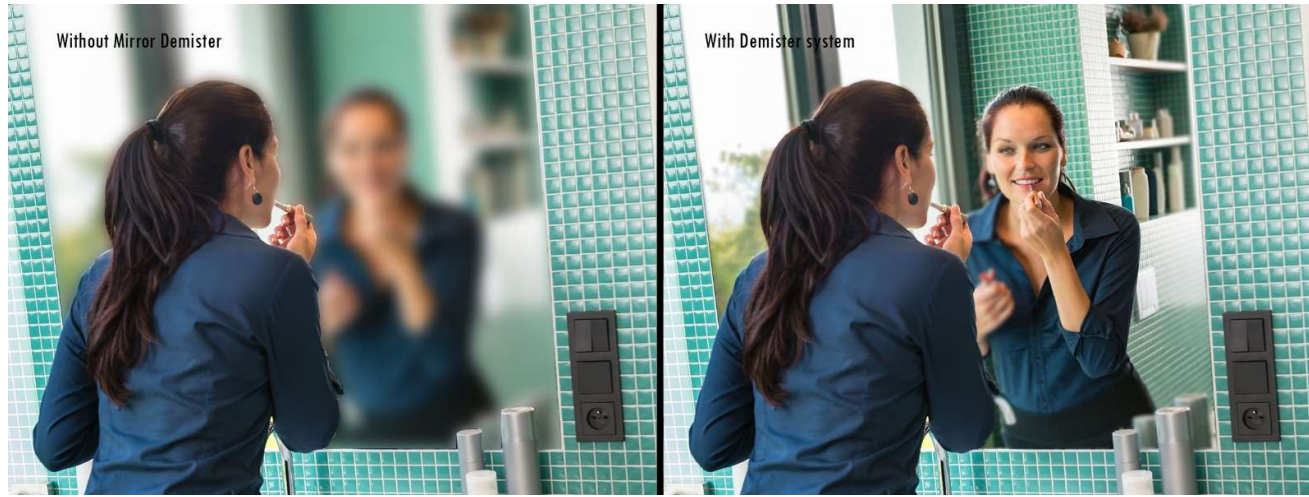


# ANTI - FOG MIRROR HEATING SYSTEM (DEMISTA - U.K)



## DESCRIPTION

Item	Anti-Fog Mirror Heating System (DEMISTA – U.K)
Thickness & Size	1mm Thick, over 400 Sizes available to suit any size & type of Mirror

## SPECIFICATION

Mirror Demisting Pads (DEMISTA – U.K), double insulated multi-layer polyester/polyethylene, standard voltage 230V, powder rating of 200 Watts/m<sup>2</sup>, 1mm thickness, IP44, 1 mtr twin core 0.75mm<sup>2</sup> cable, 10 years warranty, manufactured in U.K

Distributor	SRK Building Supplies L.L.C	Mobile	+971 56 636 3481
Address	P.O box 236294, Dubai – U.A.E	Email	<a href="mailto:srksupplies@gmail.com">srksupplies@gmail.com</a> <a href="mailto:ashley@srksupplies.com">ashley@srksupplies.com</a>
Telephone	+971 4 2639833; +971 4 338 3717	Website	<a href="http://www.srksupplies.com">www.srksupplies.com</a>