

PAPER TOWEL DISPENSER

Item Number	SB-068
Product Name	Paper Towel Dispenser
Capacity	400 c-fold or 525 multi-fold paper towels.
Overall Size	(W.H.D.) 11", 14-1/2", 3-15/16" (280x369x100mm)
Material	Type 304 stainless steel with satin finish. Fitted with tumbler lock and heavy duty stainless steel piano hinge. BSB-068 (not shown) Same as SB-068, but with polished finish.

Remark

Item Number	SB-068H
Product Name	Paper Towel Dispenser Half
Capacity	250 c-fold or 300 multi-fold paper towels.
Overall Size	(W.H.D.) 11", 8", 3-1/2" (280x203x100mm)
Material	Type 304 stainless steel with satin finish. Fitted with tumbler lock and heavy duty stainless steel piano hinge.



PAPER TOWEL DISPENSER



Item Number	SB-068H
Product Name	Paper Towel Dispenser Half
Capacity	250 c-fold or 300 multi-fold paper towels.
Overall Size	(W.H.D.) 11", 8", 3-1/2" (280x203x100mm)
MaterialType	304 stainless steel with satin finish. Fitted with tumblerlock and heavy duty stainless steel piano hinge.

Item Number	CB-068W
Product Name	Paper Towel Dispenser
Capacity	400 c-fold or 525 multi-fold paper towels.
Overall Size	(W.H.D.) (280x369x100mm)
MaterialType	White steel and fitted with tumbler lock and heavy duty steel piano hinge.



Item Number	SB-140
Product Name	Surface Mounted Folded Tiolet Tissue Cabinet
Overall Size	(W.H.D.) 6",10", 4"(155x255x105mm)
MaterialType	Type 304 stainless steel with satin finish. Dispenser is provided with tumbler lock and view slot. Unit accommodates 1,300 single or double fold tiolet tissues.



Item Number	SB-068R
Product Name	Recessed Paper Towel Dispenser
Capacity	300 c-fold or 400 multi-fold paper towels.
Overall Size	(W.H.D.)13", 17-3/8", 4-1/18" (330x441x105mm)
Wall Opening	11-1/4", 15-3/8", 4"(280x400x102mm)
Material	Type 304 stainless steel with satin finish. Concealed full-length stainless steel piano hinge and tumbler lock keyed.

Item Number	SB-068RA
Product Name	Recessed Paper Towel Dispenser
Capacity	300 c-fold or 400 multi-fold paper towels.
Overall Size	(W.H.D.)14", 28", 4-1/4"(356x711x109mm)
Wall Opening	(W.H.D.)12", 26-1/4", 4"
Material	Type 304 stainless steel with satin finish. Concealed full-length stainless steel piano hinge and tumbler lock keyed.



PAPER TOWEL DISPENSER & WASTE RECEPTACLE

Item Number	SB-2017-4
Product Name	Recessed Paper Towel Dispenser & Waste Receptacle.
Capacity	600 c-fold or 800 multi-fold paper towels waste receptacle insert 3.75gal. (14.1L)
Overall Size	13", 55", 4-1/8"(330x1397x105mm)
Wall Opening	11-1/2", 53-1/2" 4"(290x1365x102mm)
Material	Type 304 stainless steel with satin finish, concealed full length stainless steel piano hinge, 2 tumbler locks keyed. Remark
Item Number	SB-2017-6 (not shown)
Overall Size	(W.H.D.)13", 55", 6"(330x1397x152mm)
Wall Opening	(W.H.D.)11-1/2", 53-1/2", 5-3/4"(292x1360x152mm)
Wall Opening	Similar to SB-2017-4, but deeper, and waste receptacle insert 5.75 gal. (20L)



Item Number	SB-2018
Product Name	Paper Towel Dispenser and Waste Receptacle
Capacity	Dispenses 600 c-fold, 800 multi-fold or 1100 single -fold paper towels. Removable 7 gal. (26.5L) stainless steel waste container
Overall Size	(W.H.D.)14-1/4", 55-1/8", 6"(360 x 1400 x 152mm)(W.H.D.)
Wall Opening	13-3/8", 53-3/8", 6"(340x1355x150mm)
Suggested	16" (405mm) from bottom of unit to floor;
Mounting Height	Barrier-Free, 4" (102mm)

Item Number	SB-071
Product Name	Recessed Waste Receptacle with Door Disposal opening and removable waste container.
Overall Size	(W.H.D.)14-1/4", 28", 4-1/2"(362x711x115mm)
Wall Opening	(W.H.D.)12-1/4", 26", 4"(311x660x102mm)
Material	Type 304 stainless steel with satin finish. Combination waste receptacle & removable ashtray. Sand pot ashtray and round hole.



PAPER TOWEL DISPENSER & WASTE RECEPTACLE

Item Number	SB-168R
Product Name	Paper Towel Dispenser
Overall Size	(W.H.D.)14", 16", 4-1/4"(356x406x108mm)
Wall Opening	(W.H.D.)12", 14", 4"(305x356x102mm)
Material	Type 304 stainless steel with satin finish.



Item Number	SB-2291
Product Name	Recessed Paper Towel Dispenser and Waste Receptacle
Capacity	350 c-fold or 475 multi-fold paper towels . Waste receptacle insert 2 gal.(7.5L)
Overall Size	(W.H.D.)14", 28", 4"(356x711x102mm)
Wall Opening	(W.H.D.)12", 26-1/2", 4"(305x660x103mm)
Material	Type 304 stainless steel with satin finish. Double panel, warp resistant with full-length piano hinge and tumbler lock key.

Item Number	SB-171L
Product Name	Waste Receptacle
Capacity	10 gal. (37.5L)
Overall Size	(W.H.D.)15-3/16", 19-7/8", 9"(386x505x230)
Material	Type 304 stainless steel with satin finish. Top and bottom edges hemmed for safety.



Item Number	SB-171
Product Name	Waste Receptacle
Capacity	6 gal. (22.7L)
Overall Size	(W.H.D.)14", 16-29/32", 6-5/8"(357x430x168mm)
Material	Type 304 stainless steel with satin finish. Top and bottom edges hemmed for safety.



Item Number	SB-171S
Product Name	Waste Receptacle
Capacity	2 gal. (7.5L)
Overall Size	(W.H.D.)10-7/16", 9", 4-11/32" (265x230x110mm)
Material	Type 304 stainless steel with satin finish. Top and bottom edges hemmed for safety.

Item Number	SB-271
Product Name	Square Ash-n-trash Receptacle
Overall Size	(W.H.D.)9-27/32", 25-5/8", 9-27/32"(250x651x5250mm)
Material	Type 304 stainless steel with satin finish. Combination waste receptacle and removable ashtray. Sand pot



Item Number	B-003
Product Name	Counter Top Waste Receptacle
Overall Size	(H)6-11/16", 4-23/32"(170x120mm)
Counter Opening	(H)5-23/32", 4-23/32"(145x120mm)
Material	Type 304 stainless steel with bright polished finish.



Item Number	SB-501
Product Name	Round Dustbin with Foot Pedal S/S
Overall Size	(H)8-9/32', 11-13/16"(210x300mm)
Material	Type 304 stainless steel.

Item Number	BSB-C06
Product Name	Round Dustbin with Foot Pedal S/S
Overall Size	(H)9-27/32", 15-23/32"(250x400mm)
Material	Type 304 stainless steel.



PAPER TOWEL DISPENSER & WASTE RECEPTACLE

Item Number	SB-071A
Product Name	Recessed Waste Receptacle
Overall Size	(W.H.D.) 14", 28", 8"(356x711x204mm)
Wall Opening	(W.H.D.)12", 26-1/4",4"(305x664x102mm)
Material	Type 304 stainless steel with bright polished finish.



Item Number	SB-371
Product Name	Surface Mounted Cornor Waste Receptacle
Overall Size	(W.H.D.)11", 18-3/32", 8-15/32"(280x460x215mm)
Material	Type 304 stainless steel with satin finish and white basket inside for use in toilet or nook.

Item Number	SD-101
Product Name	Vertical Soap Dispenser
Capacity	1200ml (40oz)
Overall Size	(W.H.D.)4-7/8", 8-3/16", 5-3/16"(1230x208x132mm)
Material	Type 304 stainless steel with satin finish.



Item Number	SD-102
Product Name	Horizontal Soap Dispenser
Capacity	1200ml (40oz)
Overall Size	(W.H.D.)8-3/16", 4-7/8", 5-3/16"(208x123x132mm)
Material	Type 304 stainless steel with satin finish.

Item Number	BSD-102
Product Name	Horizontal Soap Dispenser
Capacity	1200ml (40oz)
Overall Size	(W.H.D.)8-3/16", 4-7/8", 5-3/16"(208x123x132mm)
Material	Type 304 stainless steel with bright polished finish.



Item Number	BSD-101
Product Name	Vertical Soap Dispenser
Capacity	1200ml (40oz)
Overall Size	(W.H.D.)4-7/8", 8-3/16", 5-3/16"(123x208x132mm)
Material	Type 304 stainless steel with bright polished finish.



Item Number	SD-102R
Product Name	Recessed Soap Dispenser
Capacity	1400ml (47oz)
Overall Size	(W.H.D.)10-1/4", 6", 6-7/16" (260x152x162mm)
Material	Type 304 stainless steel with satin finish and locked door.

Item Number	CV-025TX
Product Name	Soap Valve
Capacity	All the soap valves are designed for dispensing coconut oil or vegetable oil base anhydrous soap without disinfectant, deodorant, germicide, iodine or any additives. Offer your soap liquid to have engineering evaluation and life test before use on the soap valve.



Item Number	SD-311
Product Name	Soap Dispenser
Capacity	1400ml (47oz)
Overall Size	(W.H.D.)7-3/8", 6-1/2", 5"(185x165x125mm)
Material	Type 304 stainless steel with satin finish.



Item Number	HK-950DA
Product Name	Automatic Soap Dispenser
Capacity	Power by DC 4.5V
Overall Size	(W.H.D.)(110x270x115mm)
Material	Type 304 stainless steel with satin finish.

Item Number	FD-950DA
Product Name	Sensing Surgical Soap Dispenser
Capacity	0.94L (30oz) chemically resistant polyethylene container. Powered by 4.5v with over 1 year duration.
Overall Size	(W.H.D.)4-3/8", 10-3/8", 4"(110x262x105mm)
Material	White corrosion-resistant P.P. cabinet. Automatic sensor with 10w power indicator.





Item Number	SD-038
Product Name	Surface Mounted Soap Dispenser
Capacity	360ml (12oz)
Overall Size	(W.H.D.)3-3/16", 6", 6-3/16"(80x168x156mm)
Material	Polished stainless steel with removable plastic globe.



Item Number	PD-005B (6")
Product Name	Lavatory Mounted Soap Dispenser
Capacity	950ml (32oz)
Overall Size	(W.H.D.)3-1/2", 15", 7-7/16"(88x381x189mm)
Material	Spout and stem are chrome plated brass with polished finish and white polyethylene globe.

Item Number	PD-005W (-6"/-4")
Product Name	Lavatory Mounted Soap Dispenser
Capacity	950ml (32oz)
Overall Size	(W.H.D.)3-1/2", 15", 7-7/16"(88x381x189mm)
Material	Spout and stem are chrome plated brass with polished finish and white polyethylene globe.



Item Number	SD-003
Product Name	Lavatory Mounted Soap Dispenser
Capacity	620ml (21oz)
Overall Size	(W.H.D.)3-1/2", 15", 7-7/16"(90x381x189mm)
Material	4" spout and stem are chrome plated brass with polished finish and stainless steel globe with satin finish.



Item Number	SD-023
Product Name	Foot Operated Surgical Soap Dispenser
Capacity	950ml (32oz)
Overall Size	(W.H.D.)4-1/2", 11-1/2", 9"(114x292x229mm)
Material	Type 316 stainless steel rotating sport. 96" (245mm) long vinyl tubing attaches to anti-slip foot pump.

Item Number	PD-092L
Product Name	Push-Up Type Soap Dispenser
Capacity	950ml (32oz)
Overall Size	(W.H.D.)4", 8", 3-3/4"(100x202x96mm)
Material	Corrosion resistant chrome plated ABS mounting bracket with internal stainless steel spring.



Item Number	PD-050
Product Name	Push-Up Type Soap Dispenser
Capacity	480ml (16oz)
Overall Size	(W.H.D.)3-13/16", 6-11/16", 5-3/16"(98x70x132mm)
Material	Bracket and valve assembly chrome plated ABS, piston chrome plated brass white polyethylene globe.

TOILET PAPER DISPENSER

TOILET PAPER DISPENSER

Item Number	BSB-141
Product Name	Toilet Paper Holder
Capacity	One standard toilet tissue roll.
Overall Size	(W.H.D.)6", 3-1/2", 4"(170x90x110mm)
Material	Type 304 stainless steel with polished finish.



Item Number	BSB-041
Product Name	Toilet Paper Holder
Capacity	One standard toilet tissue roll.
Overall Size	(W.H.D.)5-1/4", 2-3/4", 3-1/2"(132x172x190)
Material	Type 304 stainless steel with polished finish.

Item Number	DB-042
Product Name	Single Toilet Paper Holder
Capacity	One standard toilet tissue roll.
Overall Size	(W.H.D.)6-5/8", 1-3/4", 4-3/8"(165x45x110mm)
Material	Cast aluminium with silver gray painted. No waste rocking action spindles of cycolac A.B.S.



Item Number	DB-043
Product Name	Double Toilet Paper Holder
Capacity	Two standard toilet tissue roll.
Overall Size	(W.H.D.)13-1/6", 1-3/4", 4-3/8"(332x45x110mm)
Material	Similar to DB-042, except double roll toilet paper dispenser.



Item Number	CB-051
Product Name	Single Toilet Paper Holder
Capacity	One standard toilet tissue roll.
Overall Size	(W.H.D.)5-5/6", 2-3/4", 4-1/4"(150x70x110mm)
Material	Chrome-plated steel theft resistant spindle.

Item Number	CB-052
Product Name	Double Toilet Paper Holder
Overall Size	(W.H.D.)12-3/8", 2-3/4", 4-1/4"(314x70x110mm)
Material	Similar to CB-051, except double roll toilet paper dispenser.



Item Number	SB-194
Product Name	Jumbo Roll Toilet Paper Dispenser
Capacity	Two standard toilet tissue roll.
Overall Size	(W.H.D.)13-3/4", 10-3/4", 4-3/4"(273x273x120mm)
Inner core diameter	1-9/16" (40mm)
Material	Type 304 stainless steel with satin finish. Fitted with tumbler lock.



Item Number	SB-065
Product Name	Surface Mounted Dual Roll Toilet Paper Dispenser
Capacity	Two standard toilet tissue roll.
Overall Size	(W.H.D.)5-7/8", 10-11/16", 6-1/16"(150x280x155m)
Material	Type 304 stainless steel with satin finish. Plastic theft resistant spindles. Top roll automatically drops in place when bottom roll is used up.

Item Number	SB-065B
Product Name	Surface Mounted Dual Roll Toilet Paper Dispenser
Capacity	Two standard toilet tissue roll.
Overall Size	(W.H.D.)5-7/8", 10-11/16", 6-1/16"(150x280x155mm)
Material	Type 304 stainless steel with satin finish . Plastic theft resistant spindle. Top roll automatically drops in place when bottom roll is used up.



Item Number	BSB-096F
Product Name	Single Toilet Paper Holder with Hood
Overall Size	(W.H.D.)6-1/4", 6-1/4", 1-3/4"(160x160x50mm)
Material	Similar to BSB-296F, but with single.



Item Number	BSB-296F
Product Name	Double Toilet Paper Holder with Hood
Capacity	Two standard toilet tissue roll.
Overall Size	(W.H.D.)12", 6-1/4", 1-3/4"(320x160x50mm)
Material	Type 304 stainless steel with polished finish. Spring loaded chrome roller.

Item Number	SB-153
Product Name	Single Surface Mounted Toilet Paper Holder
Capacity	One standard toilet tissue roll.
Overall Size	(W.H.D.)8-1/4", 2-1/16", 4"(210x53x100mm)
Material	Type 304 stainless steel with satin finish.
Remark	BSB-153 (not shown) Same as SB-153, but with polished finish.



TOILET PAPER DISPENSER

Item Number	SB-154
Product Name	Double Surface Mounted Toilet Paper Holder
Capacity	One standard toilet tissue roll.
Overall Size	(W.H.D.)13-1/2", 2-1/16", 4"(345x53x100mm)
Material	Similar to SB-153, but except double roll toilet paper dispenser.
Remark	BSB-154 (not shown) Same as SB-154, but with polished finish.



Item Number	BSB-094
Product Name	Recessed Single Toilet Paper Holder
Capacity	One standard toilet tissue roll.
Overall Size	(W.H.D.)6-1/4", 6-1/4", 3-1/2"(160x160x90mm)
Wall Opening	(W.H.D.)5-1/4", 5-1/4", 2"(135x135x50mm)
Material	Type 304 stainless steel with satin finish.

Item Number	BSB294
Product Name	Recessed Double Toilet Paper Holder
Overall Size	(W.H.D.)12-5/8", 6-3/8", 3-1/2"(320x160x90mm)
Wall Opening	(W.H.D.)11-1/2", 5-1/4", 2"(290x135x50mm)
Material	Similar to BSB-094, except double roll toilet paper dispenser.



Item Number	SB-395
Product Name	Stainless Steel Shelf and Double Toilet Paper Holder
Capacity	Two standard toilet tissue roll.
Overall Size	(W.H.D.)15-1/8", 4", 4-7/8"(385x100x125)
Material	Similar to SB-396, but without ashtray on the shelf. Type 304 stainless steel with satin finish.



Item Number	SB-396
Product Name	Stainless Steel Shelf and Double Toilet Paper holder with Ashtray
Capacity	Two standard toilet tissue roll.
Overall Size	(W.H.D.)18-1/2", 4", 5"(470x100x125mm)
Material	Type 304 stainless steel with satin finish.

Item Number	BSB-096
Product Name	Recessed Single Toilet Paper Holder with Hood with Ashtray
Overall Size	(W.H.D.)6-1/4", 6-1/4", 3-1/2"(160x160x90mm)
Wall Opening	(W.H.D.)5-1/4", 5-1/4", 2"(135x135x50mm)
Material	Similar to BSB-094, but with hood protects paper.

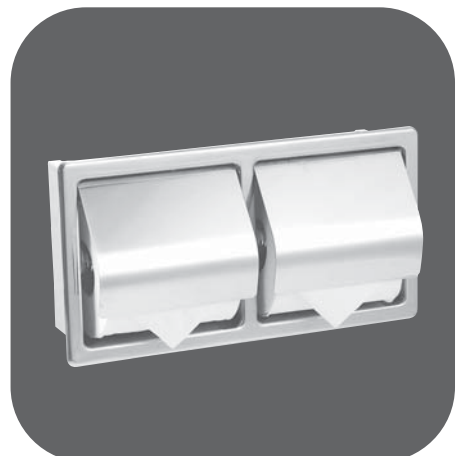


Item Number	BSB-296
Product Name	Recessed Double Toilet Paper Holder with Hood.
Capacity	Two standard toilet tissue roll.
Overall Size	(W.H.D.)12-5/8", 6-1/4", 3-1/2"(320x160x90mm)
Wall Opening	(W.H.D.)11-1/2", 5-1/4", 2"(290x135x50mm)
Material	Similar to BSB-096, but except double roll toilet paper dispenser.

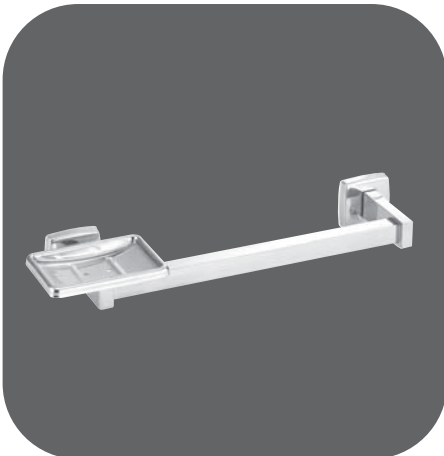


Item Number	BSB-296V
Product Name	Recessed Double Toilet Paper Holder with Hood.
Capacity	Two standard toilet tissue roll.
Overall Size	(W.H.D.)6-1/2", 12-1/4", 3"(165x312x76mm)
Wall Opening	(W.H.D.)5-7/10", 11-3/8", 3"(145x290x75mm)
Material	Type 304 stainless steel with polished finish.

Item Number	BSB-296N
Product Name	Recessed Horizontal Double Toilet Paper Holder with Hood.
Capacity	Two standard toilet tissue roll.
Overall Size	(W.H.D.)12-1/4", 6-1/2", 3"(312x162x76mm)
Wall Opening	(W.H.D.)11-3/8", 5-7/10", 3"(290x145x75mm)
Material	Similar to BSB-296V, but is horizontal.



Item Number	BSB-110
Product Name	Soap Dish
Overall Size	(W.H.D.)4-1/4", 2-1/16", 4"(108x53x105mm)
Material	Type 304 stainless steel with polished finish. Two drain holes and two ridges to support bar of soap.
Remark	SB-110 (not shown) Same as BSB-110, but with satin finish.

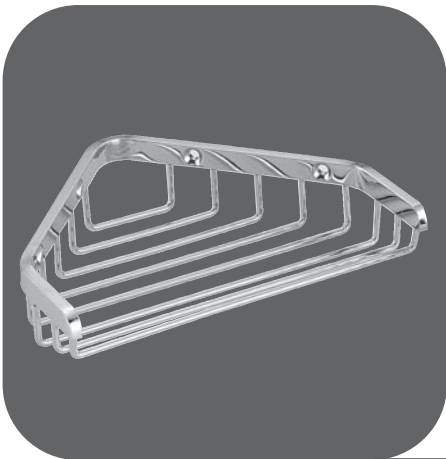
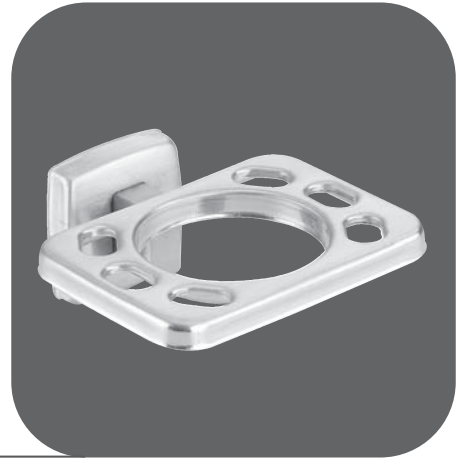


Item Number	BSB-112
Product Name	Soap Dish With Bar
Overall Size	(W.H.D.)14-3/4", 2", 4"(373x52x106mm)
Material	Type 304 stainless steel with polished finish. Similar to BSB-110, but with squared towel bar.
Remark	SB-112 (not shown) Same as BSB-112, but with satin finish.

Item Number	BSB-093S
Product Name	Recessed Soap Dish
Overall Size	(W.H.D.)6", 6", 2"(161x161x75mm)
Material	Type 304 stainless steel with polished finish. Raised s/s lip to retain soap.
Remark	SB-093S (not shown) Same as BSB-093S, but with satin finish.

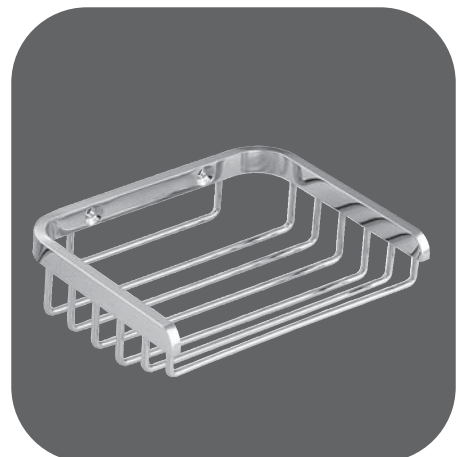


Item Number	BSB-120
Product Name	Toothbrush and Tumbler Holder
Overall Size	(W.H.D.)4-1/4", 1-31/32", 4"(108x50x105mm)
Material	Type 304 stainless steel with polished finish. Has 2-1/4" diameter hole in center of unit to hold tumbler. Accommodates six toothbrushes
Remark	SB-120 (not shown) Same as BSB-120, but with satin finish.

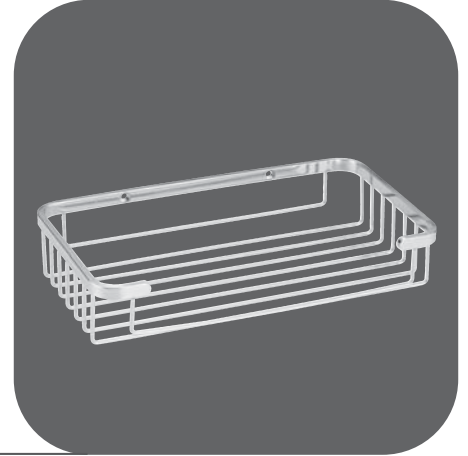


Item Number	BSB-K3S
Product Name	Corner Basket Soap Holder
Overall Size	(W.H.D.)7-3/8", 1-1/8", 4-3/4"(185x30x120mm)
Material	Type 304 polished stainless steel.

Item Number	BSB-K4S
Product Name	Basket Soap Holder
Overall Size	(W.H.D.)5-1/10", 1-1/4", 4"(130x33x100mm)
Material	Type 304 polished stainless steel.



Item Number	BSB-K4L
Product Name	Basket Holder
Overall Size	(W.H.D.)10-1/4", 2", 6-1/10"(260x50x155mm)
Material	Type 304 polished stainless steel.



Item Number	BSB-K3L
Product Name	Corner Basket Holder
Overall Size	(W.H.D.)9", 2", 6-1/2"(230x50x165mm)
Material	Type 304 polished stainless steel.

Item Number	BSB-095S
Product Name	Recessed Soap Dish With Bar
Overall Size	(W.H.D.)6-3/8", 6-3/8", 3-1/2"(161x161x90mm)
Material	Similar to BSB-093, but with 3/4" diameter bar.
Remark	SB-095S (not shown) Same as BSB-095S, but with satin finish.



Item Number	BSB-097
Product Name	Recessed Soap Dish
Overall Size	(W.H.D.)7-1/4", 5", 4"(182x127x100mm)
Wall Opening	(W.H.D.)6", 3-3/4", 3-3/16"(150x95x80mm)
Material	Type 304 stainless steel, exterior with polished finish. Interior with sand blasted finish.
Remark	SB-097 (not shown) Same as BSB-097 except with satin finish.



Item Number	BSB-098
Product Name	Recessed Soap Dish with Bar
Overall Size	(W.H.D.)7-1/4", 5", 4"(182x127x105mm)
Wall Opening	(W.H.D.)6", 3-3/4", 3-1/2"(150x95x90mm)
Material	Similar to BSB-097, but with S/S bar.
Remark	SB-098 (not shown) Same as BSB-09 except with satin finish.

Item Number	CB-033
Product Name	Robe Hook (Exposed Mounted)
Overall Size	(W.H.D.)2-3/4", 2-3/4", 3-5/32"(70x70x80mm)
Material	Chrome-plated brass with bright finish.



Item Number	CB-034
Product Name	Robe Hook (Concealed Mounted)
Overall Size	(W.H.D.)3-1/32", 3-1/32", 3-5/32"(77x77x80mm)
Material	Similar to CD-033, but concealed mounted.

Item Number	CB-035
Product Name	Coat and Bumper Hook
Overall Size	(W.H.D.)1-9/32", 2-1/2", 3"(33x64x76mm)
Material	Chrome-plated brass hook with rubber bumper protects wall surface.
	Remark

Item Number	DB-035 (not show) Similar to CB-035, but with zinc alloy hook.
Overall Size	(W.H.D.)1-9/32", 2-1/2", 3"(33x64x76mm)



Item Number	DB-502
Product Name	Double Robe Hook
Overall Size	(W.H.D.)2-1/2", 1-1/2", 1-12"(63x37x37mm)
Material	Chrome-plated zinc alloy hook.



Item Number	DB-503
Product Name	Robe Hook
Overall Size	(W.H.D.)2-1/2", 2-1/2", 2-5/32"(65x65x52mm)
Material	Chrome-plated zinc alloy hook.

Item Number	BSB-028
Product Name	Coat Hook
Overall Size	(W.H.D.)19/32", 2-5/32", 1-5/32"(15x55x35mm)
Material	Type 304 stainless steel with bright polished finish.



Item Number	BSB-130
Product Name	Single Robe Hook
Overall Size	(W.H.D.)2-1/8", 2-1/8", 1-21/32"(53x53x42mm)
Material	Type 304 stainless steel with polished finish.
Remark	SB-130 (not show)
Item Number	Same as BSB-130, but with satin finish.



Item Number	BSB-131
Product Name	Double Robe Hook
Overall Size	(W.H.D.)2-1/16", 2-1/16", 1-29/32"(52x52x48mm)
Material	Type 304 stainless steel with polished finish. Wide bar forms hook at each end.
Remark	Remark
Item Number	SB-131 (not show) Same as BSB-131, but with satin finish.

Item Number	BSB-132
Product Name	Double Robe Hook
Overall Size	(W.H.D.)3-15/16", 2-1/16", 1-29/32"(100x52x48mm)
Material	Type 304 stainless steel with polished finish. Wide bar forms hook at each end.
Remark	Remark
Item Number	SB-132 (not show) Same as BSB-132, but with satin finish.

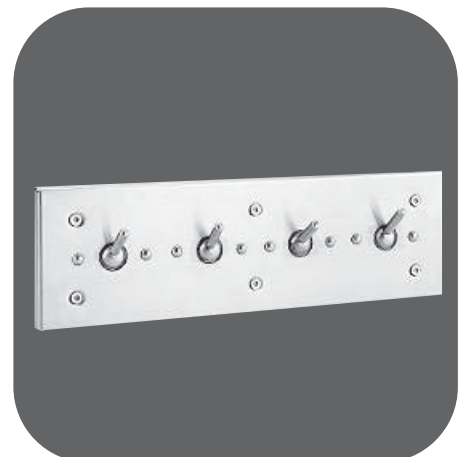


Item Number	BSB-148
Product Name	Towel Pin
Overall Size	(W.H.D.)2-1/16", 2-1/16", 4-11/32"(53x53x110mm)
Material	Type 304 stainless steel with polished finish.
	Remark
Item Number	SB-148 (not show)Same as BSB-148, but with satin finish



Item Number	SB-134
Product Name	Souaer Clothes Hook-Rear Mounting
Overall Size	(W.H.D.)4-1/4", 4-1/4", 2-1/18"(110x10x50mm)
	Remark
Item Number	SB-133 (not show) Similar to SB-134 except with four holes for front mounting.
Product Name	Square Clothes Hook-Front Mounting.

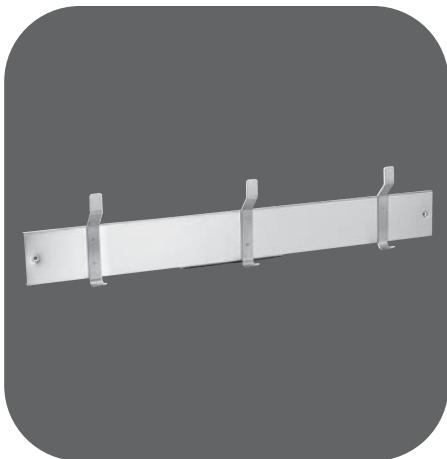
Item Number	SB-434
Product Name	Clothes/Towel Hook Strip-Front Mounting
Overall Size	18" longx5-1/2"x2-1/2"(460x140x55mm) projection.
Material	Fabricated of 12 guage stainless steek type304 with satin finish. Back plate of 14 gauge stainless steel. Hooks snap down for safety if excessively loaded. Six holes through back for front mounting.



Item Number	BSB-137
Product Name	Hat And Coat Hook
Overall Size	(W.H.D.)2-1/16", 6-29/32", 2-1/4"(52x175x70mm)
Material	Type 304 stainless steel with polished finish. Double hooks for both coats and hats.
	Remark



Item Number SB-137 (not show) Same as BSB-137, but with satin finish.



Item Number	SB-337
Product Name	Utility Hook Strip S/S
Overall Size	(W.H.D.)26", 9-1/8", 2-1/2"(660x232x64mm)
Material	Type 304 stainless steel with satin finish. Edges returning 1/2" to the wall. 26" with 3 hooks.

Item Number	BSB-128
Product Name	Intrarenous Drip Hook
Overall Size	(W.H.D.)2-9/32", 2-15/32", 3-1/2"(58x63x90mm)
Material	Type 304 stainless steel with polished finish. Prevent fall and 180 ⁰ rotatable hook.



Item Number	BSB-091
Product Name	Surface Mounted Retractable Clothes Line
Overall Size	(W.H.D.)3-19/32", 2-5/32"(91x55mm)
Material	Polished stainless steel unit has spring actuated 6 ft nylon cord. Locking nut to hold stretched line.



Item Number	BSB-039
Product Name	Bottle Opener
Overall Size	(W.H.D.)2-3/4", 2-1/16", 1"(70x52x25mm)
Material	Type 304 stainless steel with polished finish.

Item Number	CB-015
Product Name	Mop Pack
Overall Size	(W.H.D.)2-9/16", 1-1/4", 1-3/16"(65x32x30mm)
Material	Chrome-plated steel wall plate. Ribbed for rigidity, with serrated rubber clam.



Item Number	SB-115
Product Name	Mop Pack
Overall Size	(W.H.D.)5-1/32", 3-1/32", 1-9/16"(128x77x40mm)
Material	Type 304 stainless steel with satin finish. Similar to CB-015 but with a mounting pad to wall.



Item Number	SB-325L
Product Name	Mop Holder & Rag Hooks S/S
Overall Size	(W.H.D.)26", 3-21/32", 4-13/16"(660x93x122mm)
Material	Type 304 stainless steel with satin finish.

Item Number	SB-315
Product Name	Mop Pack
Overall Size	(W.H.D.)26", 3", 1-29/32"(660x78x48mm)
Material	Type 304 stainless steel plate with satin finish.



Item Number	SB-070
Product Name	Toilet Seat Cover Dispenser
Capacity	250 seat covers
Overall Size	(W.H.D.)15-23/32", 11-13/32", 1-15/16"(400x290x50mm)
Material	Type 304 stainless steel with satin finish.



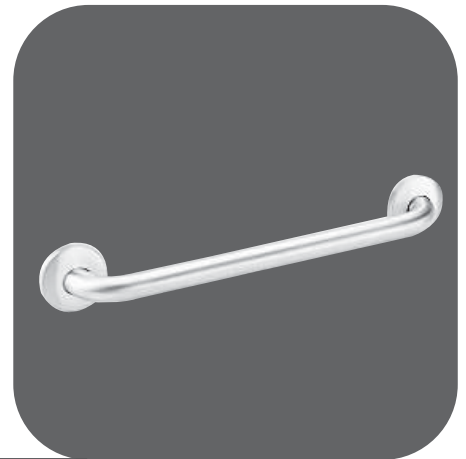
Item Number	SB-070R
Product Name	Recessed Toilet Seat Cover Dispenser
Capacity	500 seat covers
Overall Size	(W.H.D.)17-1/4", 12-3/4", 2-3/4"(395x285x65mm)
Material	Type 304 stainless steel with satin finish.

Item Number	QWG-089-12"/20"
Product Name	Grab Bar
Special Length	12" 20"
Material	Steel reinforced plastic.



Item Number	BSG-389
Product Name	Shower Grab Bar
Special Length	305mm, 457mm, 508mm, 610mm, 762mm.
Material	25mm dia, s/s round tube bar with concealed crews mounted with chrome plated brass hexagonal flanges.

Item Number	BSG-089
Product Name	Stainless Steel Grab Bar
Features	Heavy duty, 18-gauge 304 stainless steel tubing all heli arc welded. Satin finished.
Bar Dia	1, 1-1/4", 1-1/2" (Perfix N.Q.H.)
Bar Length	12, 18, 24, 30, 36, 42, 48



Item Number	QSG-089-Q
Product Name	Swing-up Grab Bar
Mounting Plate	(W.H.)4", 12"(102x305mm)9-(L.H)
Grab Bar	(29", 7-25/32")(737x197mm)
Material	Type 304 stainless steel tubing.

Features :	Heavy duty, 18-gauge 304 stainless steel tubing all heliarc welded, satin finished, peened or brigh finish.
Bar Dia:	1", 1, 1/4" or 1 1/2" (Prefix S.Q. or H)
Bar Length:	12", 18', 24", 30", 36", 42" or 48"
Standard safety clearance:	1 1/2"
Flange Type:	Exposed, Snap-on or Concealed.
Caution :	It is recommended that grab bar or wash room equipmen for marine, pool or spa applications be specified in a bright polished to resist oxidation. It is important to evaluate wall condions, for any grab bar is only as the strong as the anchoring devices and the wall on which it is mounted. We can also produce specially designed corner bar, shower bar, toilet bar or combination bar.



Item Number	PSBS-189
Description	Grab bar with decorated flange coner, bright finish or golden PVD finish.



Item Number	PBPC-189
Description	Grab bar with decorated flange coner, bright finish or golden PVD finish.

Item Number BS-189
Description Grab bar with decorated flange coner, bright finish or golden PVD finish.



Item Number SG-088
Product Name Exposed Flange
Material 12" gauge, 3" dia, 304 stainless steel flange with three mounting holes for # 10 screws.

Item Number SG-089
Product Name Snap-On Flange
Material 12" gauge, 3" dia, Flange and 22 gauge cover, all stainless steel with two 1/4" mounting holes for use anchor bolt.



Item Number	CB-055
Product Name	Surface Mounted Facial Tissue Dispenser
Capacity	150 double-ply sheets
Overall size	(W.H.D.)10-5/8", 5-7/8", 2-1/8"(270x145x55mm)
Material	Chrome plated steel face plate.



Item Number	SB-155
Product Name	Facial Tissue Dispenser
Capacity	80 double-ply sheets
Overall size	(W.H.D.)10-3/8", 4-7/8", 2-1/4"(264x130x57mm)
Material	Face plate 304 stainless steel, with sain finish.

Item Number	BSB-057
Product Name	Recessed Facial Tissue Dispenser
Capacity	150 double-ply sheets.
Overall size	(W.H.D.)11-7/32", 5-1/8", 2-9/16"(285x130x65mm)
Material	Face plate is type 304 stainless steel with polished finish. Cabinet is galvanized steel.



Item Number	BSB-057
Product Name	Recessed Facial Tissue Dispenser
Capacity	300 double-ply sheets
Overall size	(W.H.D.)11-13/16", 6-3/8", 5-1/8"(304x162x130mm)
Wall Opening	11-7/32", 5-1/8", 5-5/16"(285x130x65mm)
Material	Similar to BSB-057, but deeper.



Item Number	BSB-157
Product Name	Recessed Facial Tissue Dispenser
Capacity	150 double-ply sheets
Overall size	(W.H.D.)11-13/16", 6-9/32", 2-3/8"(304x160x60mm)
Wall Opening	(W.H.D.)11-7/32" 5-1/8", 2-9/16"(285x130x65mm)
Material	Face plate is type 304 stainless steel with polished finish. Cabinet is galvanized steel.

Item Number	BSB-257
Product Name	Recessed Facial Tissue Dispenser
Overall size	(W.H.D.)11-5/8", 6-9/32", 2-15/32"(295x160x63mm)
Wall Opening	(W.H.D.)10-7/16", 5-1/8", 2-3/8"(265x130x60mm)
Material	Faceplate is type 304 stainless steel with polished finish. Cabinet is galvanized steel.



FACIAL TISSUE DISPENSER

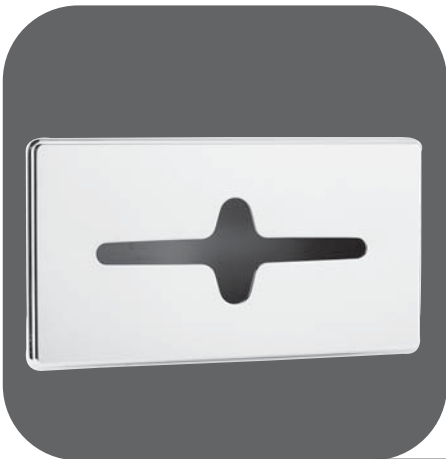
FACIAL TISSUE DISPENSER

Item Number	PC-057S
Product Name	Recessed Facial Tissue Dispenser
Overall size	(W.H.D.)11-5/8", 6-9/32", 2-15/32"(295x160x63mm)
Wall Opening	(W.H.D.)10-7/16", 5-1/8", 2-3/8"(265x130x60mm)
Material	Type 304 stainless steel with satin nickel.



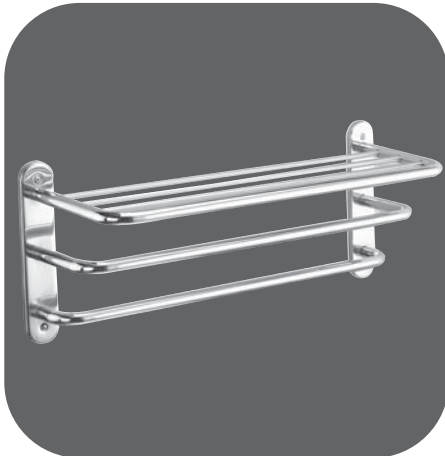
Item Number	PC-057W
Product Name	Recessed Facial Tissue Dispenser
Overall size	(W.H.D.)11-5/8", 6-9/32", 2-15/32"(295x160x63mm)
Wall Opening	(W.H.D.)10-7/16", 5-1/8", 2-3/8"(265x130x60mm)
Material	Similar to PC-057S, but with white powder coat.

Item Number	PC-057B
Product Name	Recessed Facial Tissue Dispenser
Overall size	(W.H.D.)11-5/8", 6-9/32", 2-15/32"(295x160x63mm)
Wall Opening	(W.H.D.)10-7/16", 5-1/8", 2-3/8"(265x130x60mm)
Material	Similar to PC-07S, but with polished finish. Cabinet is galvanized steel.



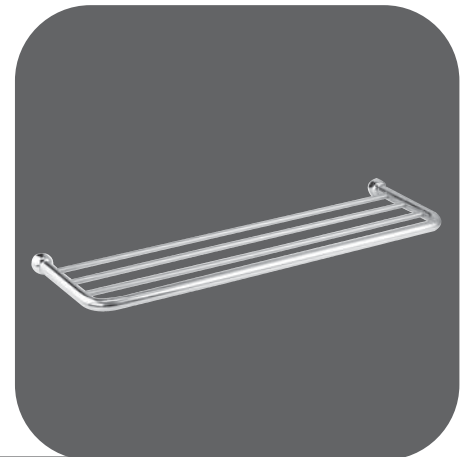
Item Number	PC-057C
Product Name	Recessed Facial Tissue Dispenser
Overall size	(W.H.D.)11-5/8", 6-9/32", 2-15/32"(295x160x63mm)
Wall Opening	(W.H.D.)10-7/16", 5-1/8", 2-3/8"(265x130x60mm)
Material	Similar to PC-07S, but with PVD finish.

Item Number	BSB-374-20
Product Name	Towel Shelf with Towel Bar
Overall Size	(W.H.D.)20-1/2", 6-1/2", 3-3/16"(505x165x208mm)
Material	Type 304 stainless steel with polished finish. Shelf consists of 3/4" diameter frame, with three 3/8" diameter tubes, and 3/4" diameter towel bar below shelf.
	Remark
Item Number	BSB-374-24 (not shown)
Item Number	Similar to BSB-374-20, but longer.
Overall Size	(W.H.D.)23-5/8", 6-1/2", 8-3/16" (600x165x208mm)



Item Number	BSB-375-24
Product Name	Towel Shelf with Double Towel Bar
Overall Size	(W.H.D.)26", 10-7/16", 8-7/8"(660x265x214mm)
Material	Similar to BSB-374-24, but with double towel bar.
	Remark
Item Number	BSB-375-30 (not shown)
Item Number	Similar to BSB-374-24, but longer.
Overall Size	(W.H.D.)32-3/32", 10-7/16", 8-7/8"(815x265x214mm)

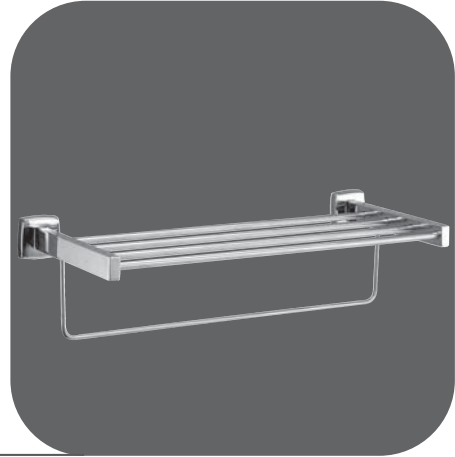
Item Number	BSB-372-20
Product Name	Towel Shelf
Overall Size	(W.H.D.)21-1/4", 1-7/32", 8-1/32"(505x31x204mm)
Material	Type 304 stainless steel with polished finish. Shelf consists of 3/4" diameter frame, with three 3/8" diameter tubes, and chrome plated zinc alloy flanges.
	Remark
Item Number	BSB-372-24 (not shown)
Item Number	Similar to BSB-372-20, but longer.
Overall Size	(W.H.D.)24-3/16", 1-7/32", 8"(60x31x204mm)



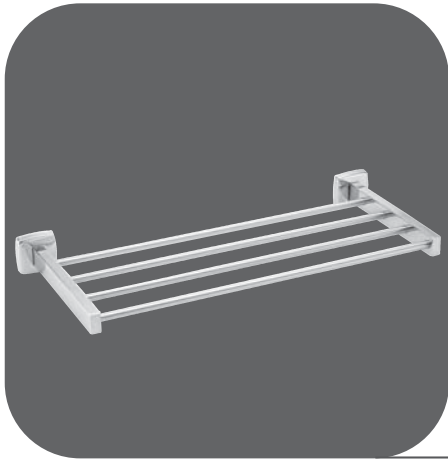
TOWEL SHELF, BAR, RING

TOWEL SHELF, BAR, RING

Item Number	BSB-174-18
Product Name	Towel Shelf with Towel Bar
Overall Size	(W.H.D.)19-17/32", 5-33/64", 8-3/16"(496x140x208mm)
Material	Type 304 stainless steel with polished finish. 8" deep consisting of four 3/8" diameter tubes, with 1/4" diameter towel bar shelf.
Remark	

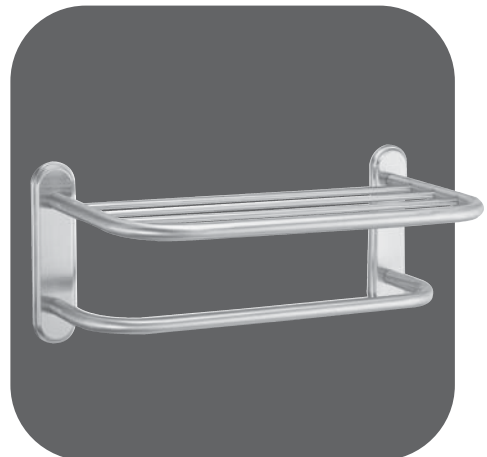


Item Number	BSB-174-24 (not show) Similar to BSB-174-18, but longer.
Overall Size	(W.H.D.)25-9/16", 5-33/64", 8-3/16"(649x140x208mm)
Item Number	SB-174-18 (not shown) Same us BSB-174-18, but with satin finish.
Overall Size	(W.H.D.)19-17/32", 5-33/64", 8-3/16"(496x140x208mm)
Item Number	SB-174-24 (not shown) Similar to BSB-174-18, but longer.
Overall Size:	(W.H.D.)25-33/64", 5-1/2", 8-3/16"(495x52x208mm)



Item Number	BSB-172-18
Product Name	Towel Shelf
Overall Size	(W.H.D.)19-1/2", 2", 8-3/16"(495x52x208mm)
Material	Similar to BSB-174-18, but without towel bar.
Remark	
Item Number	BSB-172-24(not shown) Similar to BSB-172-18, but longer.
Overall Size	(W.H.D.)19-1/2", 2", 8-3/16"(495x52x208mm)
Item Number	SB-172-18 (not shown) Similar to BSB-172-18, but with satin finish.
Overall Size	(W.H.D.)19-1/2",2", 8-3/16"(495x52x208mm)
Item Number	(SB-172-24 (not shown) Similar to BSB-172-18, but longer.
Overall Size:	(W.H.D.)19-1/2", 2", 8-3/16"(495x52x208mm)

Item Number	PC-374-18
Product Name	Towel Shelf with Towel Bar
Overall Size	(W.H.D.)18", 6-31/64", 8-3/16"(457x165x208mm)
Material	Concealed mounting type 304 stainless steel with polished finish. Shelf consists of 3/4" diameter frame, with three 3/8" diameter tubes, and 3/4"diameter towel bar below shelf.
Remark	
Item Number	PC-374-24 (not show)Similar to PC-374-20, but longer.
Overall Size	(W.H.D.)23-5/8", 6-1/2", 8-3/16"(600x165x208mm)



Item Number	BSB-176-18
Product Name	Utility Shelf
Overall Size	(W.H.D.)20-43/64", 1-31/32", 8-1/32"(525x50x204mm)
Material	Type 304 stainless with polished finish. Shelf is 5" wide, edges are roll formed for safety.
	Remark

Item Number	BSB-176-24 (not shown)
Item Number	Similar to BSB-176-18, but longer
Overall Size	(W.H.D.)25-3/16", 1-31/32", 8"(640x50x204mm)
Item Number	SB-176-18 (not shown) Similar to BSB-176-18, but with satin finish.
Item Number	SB-176-24 (not shown) Similar to SB-176-18, but with satin finish.



Item Number	DB-376
Product Name	Acrylic Shelf
Overall Size	(W.H.D.)21-1/4", 2-3/8", 5-1/8"(540x60x130mm)
Material	Chrome-plated zinc alloy flanges, and acrylic shelf.
	Remark
Item Number	DB-376S (not show) Similar to DB-376, but shorter.
Overall Size	(W.H.D.)14-9/16", 2-3/38", 5-7/16"(370x60x138mm)

Item Number	BSB-349-20 (-24/-30/-36)
Product Name	Towel Bar
Overall Size	(W.H.D.)18-57/64", 1-3/16", 2-9/16"(480x30x65mm)
Material	Type 304 stainless steel with polished finish. Round 3/4" diameter tower bar with zinc alloy flanges.
	(-24) : 24" (610mm) lengths
	(-30) : 30" (750mm) lengths
	(-36) : 36" (900mm) lengths



Item Number	BSB-144
Product Name	Towel Ring
Overall Size	(W.H.D.)5", 5-3/16", 2-3/8"(128x132x60mm)
Material	Type 304 stainless steel with polished finish. Ring is 4-1/2" (115mm)wide, made of 1/4" (6mm) diameter bar.
	Remark
Item Number	SB-144 (not show) Same as BSB-144, but satin finish.

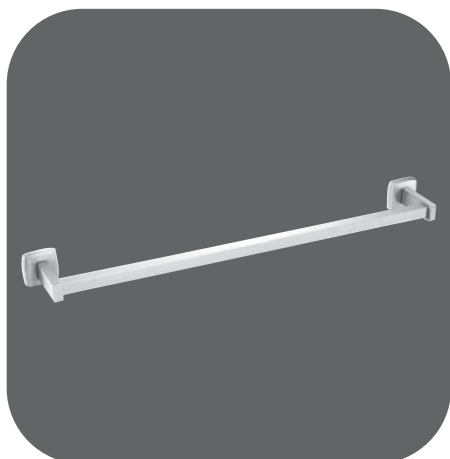


Item Number	BSB-244
Product Name	Towel Ring
Overall Size	(W.H.D.)6-1/8" 6-57/64", 2-3/8"(155x175x60mm)
Material	Type 304 stainless steel with polished finish. Ring is 6-1/6" (154mm)diameter, made of 7/16" (11mm) diameter bar.

Item Number	SB-276
Product Name	Folding Utility Shelf for Toilet Compartments
Overall Size	(W.D.)14-9/16", 5-29/32"(370x150mm)
Material	Type 304 satin finish stainless steel with raised rim. Returns to upright position when not in use.



Item Number	BSB-149R-18 (-24)
Product Name	Towel Bar-Round
Overall Size	19-1/2", 2", 3-1/2"(495x52x90mm)
Material	Type 304 stainless steel with polished finish. Round 3/4" (19mm) diameter bar. (-24): 24" (610mm) lengths.
	Remark
Item Number	SB--149R-18 (-24) (not shown) Same as BSB-149R-18 (-24), but with satin finish.



Item Number	BSB-149-18 (-24)
Product Name	Towel Bar Square Similar to SB-149R-18 (-24), but with square bar.
Item Number	Remark
	SB-149-18 (-24) (not shown) Same as BSB-149-18-(-24), but with satin finish.

Item Number	C-430
Product Name	Double Towel Bar 24"
Overall Size	(W.H.D.)24", 2",5-23/32"
Material	Type 304 stainless steel, Bracket chrome plated ABS.





Item Number BSG-389F
Product Name Shower Curtain Rod Flange
Material Zinc alloy flanges for 1" curtain rod.

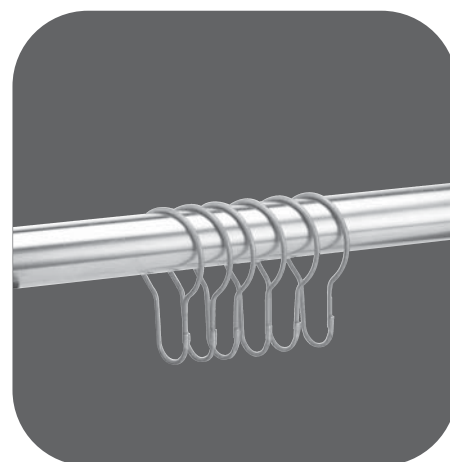


Item Number NSG-288F
Product Name Shower Curtain Rod Flange
Material Stainless steel bracket accpets 1"curtain rod.



Item Number BSG-388F
Product Name Shower Curtain Rod Flange
Material Chrome plated brass flange for 1'curtain rod.

Item Number	SH-289
Product Name	Shower Curtain Hooks
Material	Stainless steel hook for rod 1" diameter.



Item Number	SH-288
Product Name	Curtain with Plastic Hook
Overall Size	70-7/8", 70-7/8" (1800x1800mm)
Material	Polyester

Item Number	SB-099W
Product Name	Folding Shower Seat
Overall Size	(W.H.D.)16-29/32", 17-13/32", 12-19/32"
Material	One-piece white solid phenolic seat. Frame, support legs and bracket are type 304 stainless steel with satin finish. Self-locking mechanism.



Item Number	SB-199
Product Name	Fold-Up Shower Seat
Overall Size	(W.H.D.)18", 19", 15-14"(457x483x387mm)
Material	Constructed of 1"x0.49 wall (18 gauge) stainless steel tubing with a foam pad seat.

Item Number	SB-099WL
Product Name	Fold-Up Shower Seat
Overall Size	33", 19", 22-27/32"(838x483x581mm)
Material	One-piece white solid phenolic seat. Frame, support legs and bracket are type 304 stainless steel with satin finish. Self-locking mechanism.



Item Number	BSB-111
Product Name	Flip Top Ashtray
Overall Size	(W.H.D.)4-1/2", 1-5/8", 4"(115x42x100mm)
Materia	Type 304 stainless steel with polished finish. Flip over ashtray for emptying without removal from frame



Item Number	BSB-269
Product Name	Surface Mounted Ashtray
Overall Size	(W.H.D.)4", 3-3/4", 4-3/4"(100x95x120mm)
Materia	Type 304 stainless steel with polished finish. Chrome-plated bracket and receptacle.

Item Number	SB-069
Product Name	Surface Mounted Wall Urn
Overall Size	(W.H.D.)9-1/4", 8-1/4", 9-5/8"(235x210x245mm)
Materia	Type 304 stainless steel with polished finish. Aluminium mounting bracket and receptacle. Flip top ashtray hinges to urn for vandal proof installation. Entire unit has satin finish.



Item Number	SB-045
Product Name	Surface Mounted Wall Urn
Overall Size	(W.H.D.)11", 5-1/2", 6"(280x140x150mm)
Materia	Type 304 stainless steel with polished finish. Theft resistant flip tray. Removable ash receptacle.